



CONVERTING
TIMBER SINCE **1974**

WITH GREAT STRENGTH COMES GREAT SUSTAINABILITY

We focus on sustainability in construction. With us, you can easily find quality products for your specific needs. We are the number one choice for sustainable timber products; which are engineered to perform for a lifetime.



INNOVATION & QUALITY CONTROL

IS AT THE CORE OF OUR BUSINESS

With a fully automatic plant, we believe in putting our best foot forward when it comes to Reel manufacturing. We are proud of our conversion capacities and are leading the industry from the front. Our state of the art machinery is synonymous to our strengths and our quality team ensures each product is par excellence.

OUR CORE STRENGTH



We offer the highest quality in required quantities with minimum delivery lead time.

PRODUCTION CAPACITY EVOLUTION (DRUMS/MONTH)



We are an ISO-certified company that imports timber as per quality requirements from countries across the globe. With South East Asia's largest fully-automatic machinery set up, we have a holistic approach towards quality control & timely delivery for each of our clients – globally.



**Factory area
20000 sqm**



**Manufacture
over 25000 drums
every month**



**New Factory area
40000sqm**



**Raw material
storage area
40000sq ft**



**Raw material
storage capacity
6000CBM**



**RM processing machine
capacity (2 machines)
4000CBM/Month**

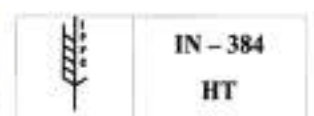


**Pallet production capacity
10000Month**



**FG storage capacity
10000Drums**

OUR CREDENTIALS



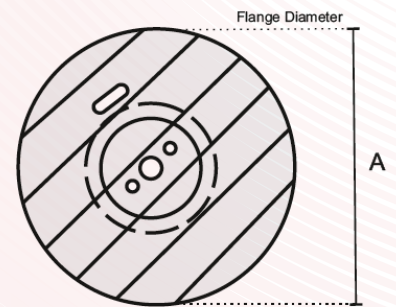
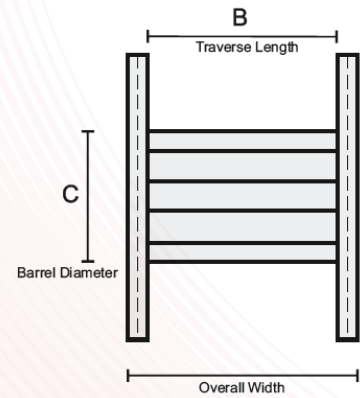
PINEWOOD DRUMS / REELS

We manufacture drums from quality pinewood, the wooden drums are equipped for several rotations in your logistics processes and are ideally suited for outdoor use as well.



Different flange diameters from 600 mm to 3000 mm can be selected. Core design, cable outlets and holes are matched to suit your production and logistics processes.

Our drums are particularly suitable for electric wire and cable, fiber optic cable, and ropes.



A = Flange Diameter
B = Traverse Length
C = Barrel Diameter

Reel Size = A x B x C
Example = 1200 x 600 x 800



PALLETS & REELS

WOODEN PALLETS

We manufacture wooden pallets for export or domestic packaging. These are designed as per customer requirements, considering the size and load-bearing capacity of the products. We dry it to the correct moisture levels for handling critical products such as paper, sugar, metal, etc



Two Way Pallets



Four Way Pallets



Stringer Pallets



CP Pallets



Euro Pallets

PLYWOOD DRUMS / REELS

We also manufactured plywood drums. The combination of cardboard core inside and plywood core outside supports the stability of the flanges and counteracts cupping of the material.

Very
Light
Weight

Suitable for
fully automatic
winding

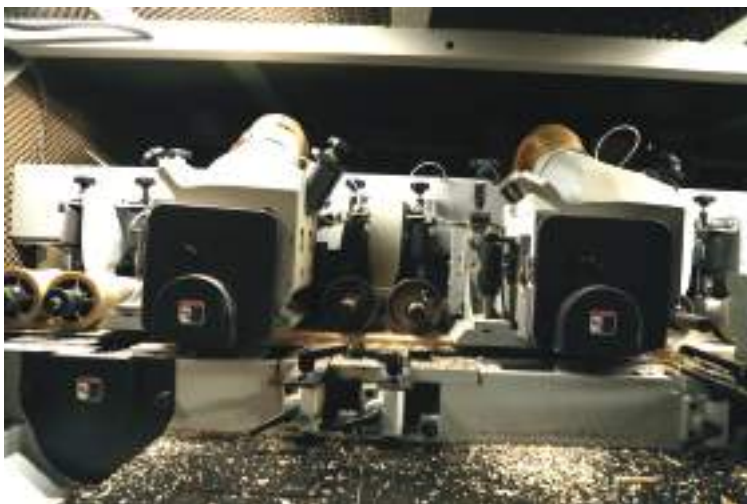
Best possible winding
patterns to avoid
radial run-out



THE BARREL IS MADE OF

- Cardboard
- Plywood
- MS

GLIMPSES OF OUR FACILITY





 +91 9825 221 291

 www.ttplgroup.in

 marketing@ttplgroup.in

 **Tirupati Reels Private Limited**
Survey no. 79/1, 79/2, 79/3 and 80/2, Padana,
Gandhidham, Kachchh, Gujarat, 370201